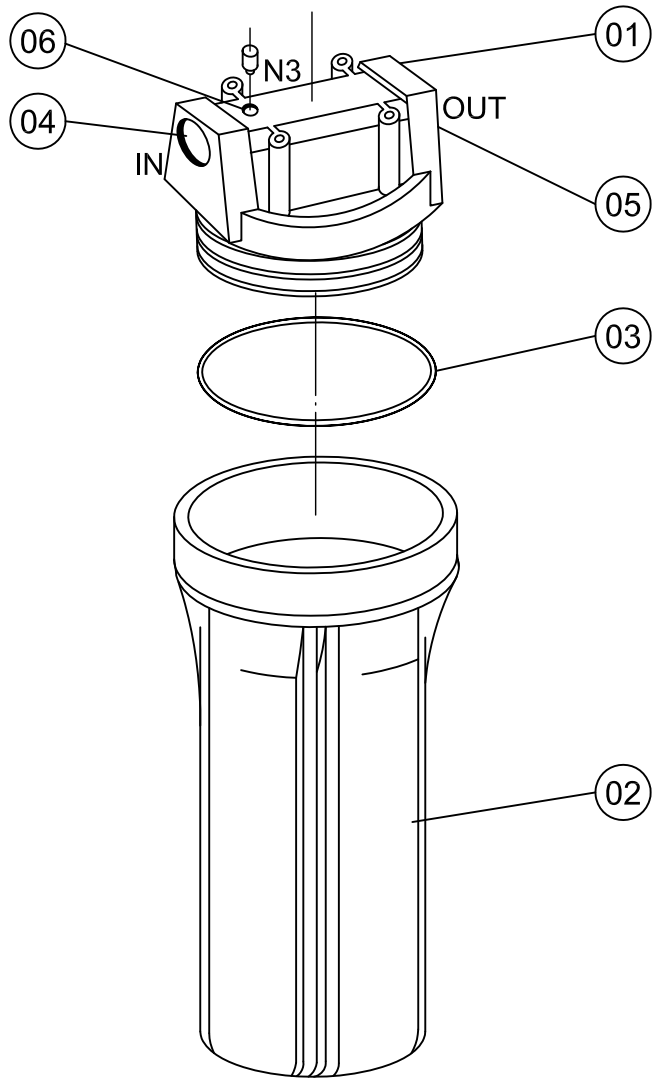


Model	A	B	C	$\phi D$	E	$\phi K$	M
PH10	57	59	314	92	266	130	48
PH20	57	59	571	92	523	130	48

Operating T.	Operating P.
50°C	5kg/cm <sup>2</sup>

Revised	Other	Product Name	Single Cartridge Plastic Filter Housing			Part No.	Artwork #
		Model No.	PH#			Material	Delivery
		Drafting	Designer	Checker	Date	Surface Finishing	Unit
						Quantity	Ratio
							mm



No.	Description	Q'ty
1	Cap	1
2	Vessel	1
3	O-ring	1
4	Inlet Port	1
5	Outlet Port	1
6	Vent	1

Operating T.	Operating P.
50°C	5kg/cm <sup>2</sup>

Revised	Other	Product Name	Single Cartridge Plastic Filter Housing			Part No.	Artwork #
		Model No.	PH#			Material	Delivery
		Drafting	Designer	Checker	Date	Surface Finishing	Unit
						Quantity	Ratio
							mm